

Asset Exchange Lockers

A convenient, attractive and contact-free delivery solution.
Parcels. Purchases. Documents. **Secure and available 24/7.**

Ideal for pickup and delivery of every item imaginable, Exchange Lockers are the perfect solution where you need to safely and securely exchange assets without person-to-person contact. Indoors or outdoors. Temporary or permanent. Corporate or retail. Dry cleaner or grocery store. The applications are only limited by your imagination.

CONVENIENT DELIVERIES

- 1** Place asset in locker and close door.
- 2** Enter one-time pickup code to secure locker.
- 3** Send recipient email/text with locker number and pickup code.

QUICK & EASY PICKUPS

- 1** Recipient enters code on keypad of specified locker.
- 2** Opens door and claims asset.

Perfect for all Environments

Made from structural thermoplastic (HDPE) that is waterproof and chemical-resistant, the lockers are extremely durable and withstand even the toughest outdoor conditions.

Easy to Clean

The industrial-grade surfaces are a snap to clean/disinfect with basic cleaner and bleach solutions. Heck, you can spray them down with a hose!

No Assembly Required

Lockers ship assembled, are easy to securely install in your chosen location, and are easy to re-locate when needed.

Designer Finishes

We offer a wide range of designer finishes for the exterior surface, keypads and nameplates. Plus, colors on the UV-stable plastic will not fade over time.

Made in the USA with a Lifetime Warranty.



Bluetooth and smartphone systems are available for high-volume, "contactless" deliveries with complete logistics accountability.

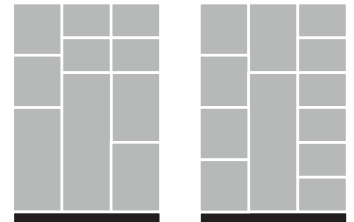
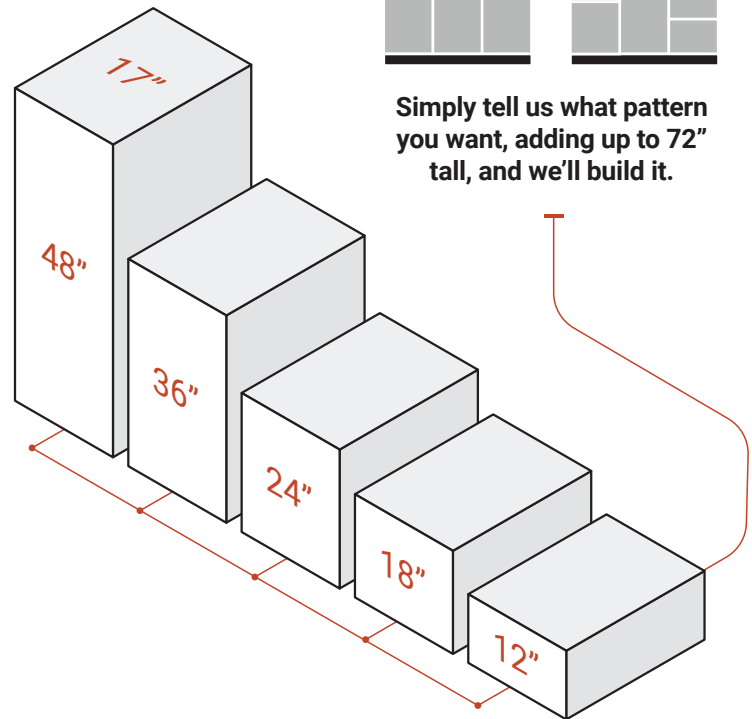
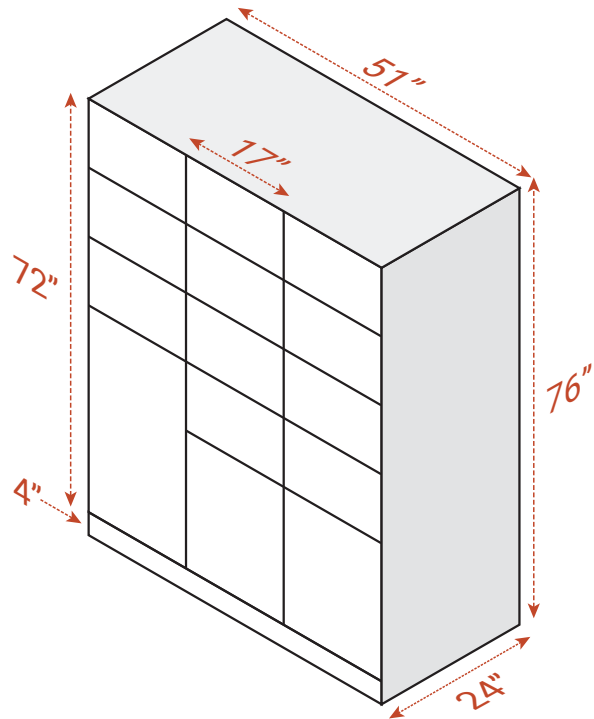


Stylish gray/white/beige finishes are UV-stable

Call for design assistance, pricing and availability

Specifications & Options

Three columns. Endless configurations.
Let's build **your** perfect solution.



Simply tell us what pattern you want, adding up to 72" tall, and we'll build it.

A wide variety of standard and custom colors/finishes.
Multiple keypad systems and colors/finishes available.
Number plates available in a variety of colors/fonts.

Please contact us to discuss alternate sizes and custom finishes